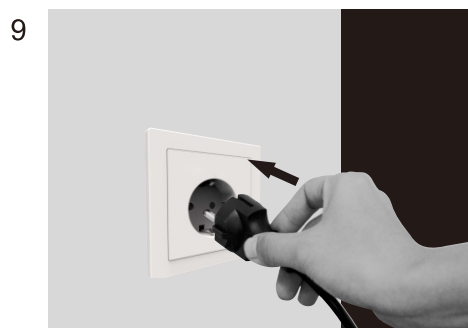
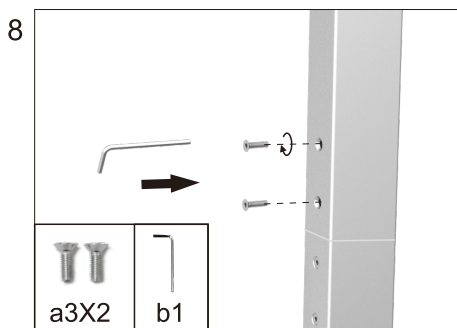
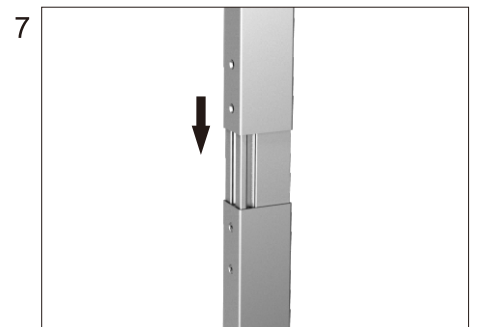
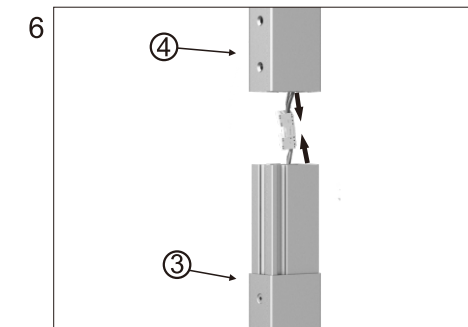
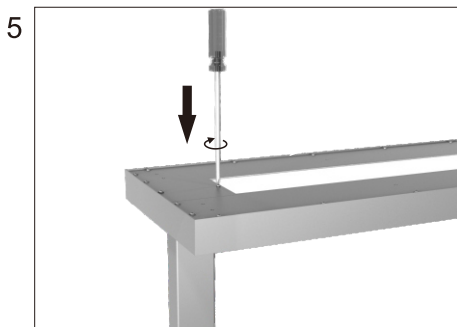
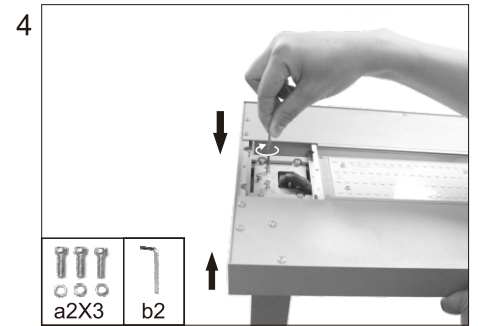
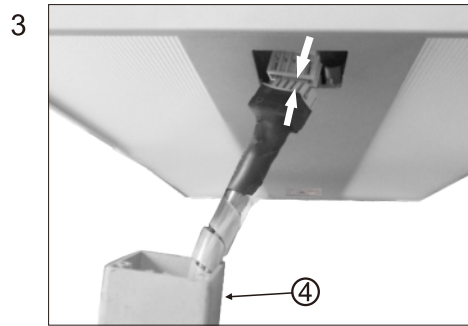
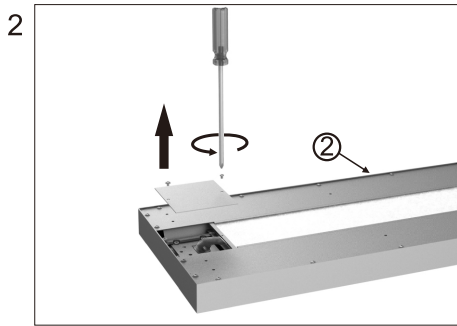
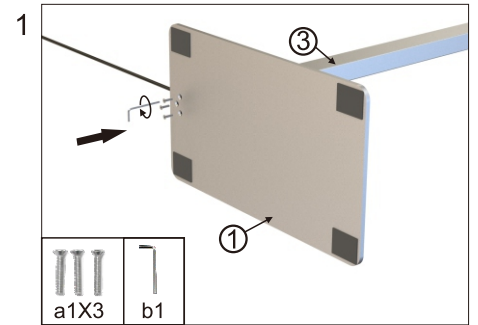
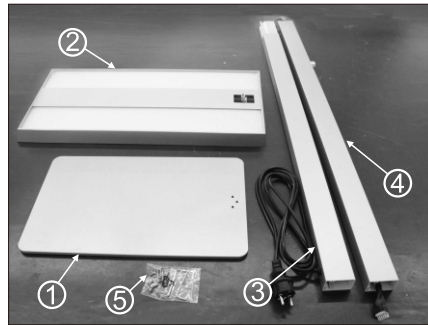
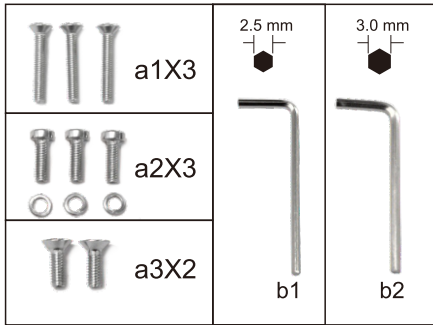


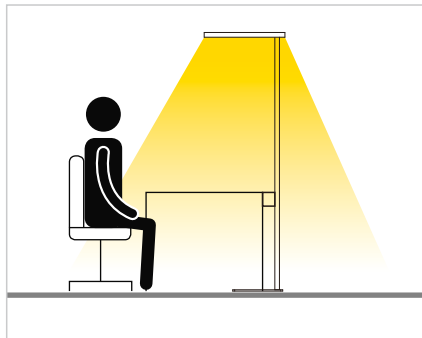
Installation instruction



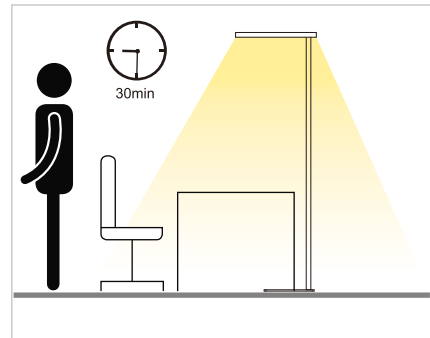
Manual



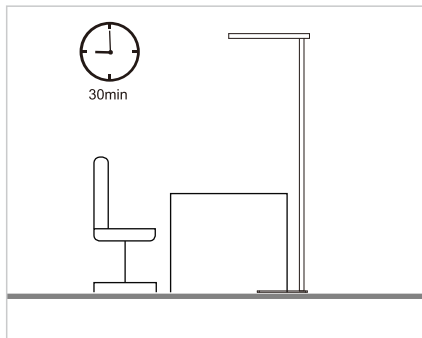
A. Motion Sensor



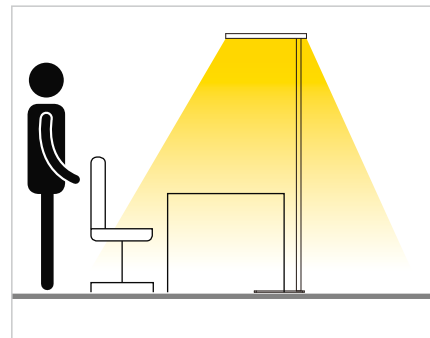
1. turn on the lamp



2. The lamp brightness reduce to 30% when there is no presence in 30min



3. After another 30min, the lamp switches off automatically when still no presence detected



4. The lamp will switches on automatically at once when there is presence detected.

Detectable area

