

20.018.33005



GENERAL

Floor
 Standing
 Silver
 IP20
 indirect 11500 lm
 direct 7700 lm
 total 19200 lm
 Beam Angle $\uparrow 110^\circ / 90^\circ \downarrow$
 UGR < 17

LED

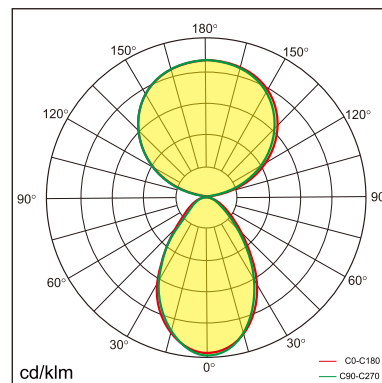
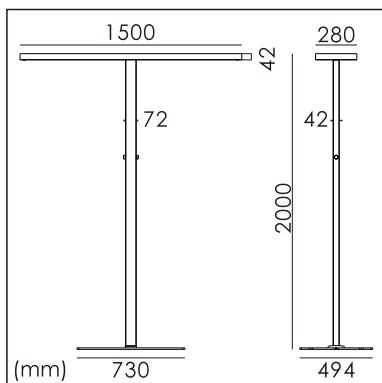
3000K warm white
 CRI ≥ 80
 L80(B10)50,000H
 SDCM < 3

PHYSICAL

length 1500 mm
 width 494 mm
 height 2000 mm
 21.8 kg

ELECTRICAL

160W
 120 lm/W
 AC200~240V



The data values for the luminous flux are initially subject to a tolerance of +/- 10%, those for the electrical connected load are initially subject to a tolerance of +/- 10%, and those for the colour temperature are initially subject to a tolerance of +/- 150 K. Product illustrations serve as examples and may differ from the original. No liability is assumed for typographical or printing errors. We reserve the right to make alterations in the interest of improving our products.