

20.018.14008



GENERAL

Floor
Standing
black
IP20
indirect 11500 lm
direct 7700 lm
total 19200 lm
Beam Angle \uparrow 110°/90° \downarrow
UGR<17

LED

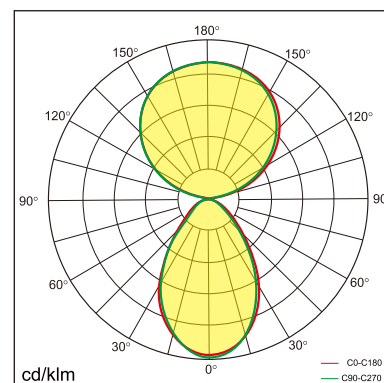
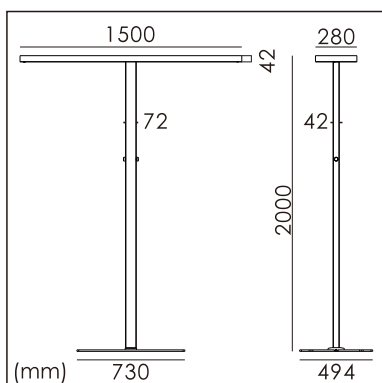
4000K neutral white
CRI \geq 80
L80(B10)50,000H
SDCM <3

PHYSICAL

length 1500 mm
width 494 mm
height 2000 mm
21.8 kg

ELECTRICAL

160W
120 lm/W
AC200~240V



The data values for the luminous flux are initially subject to a tolerance of +/- 10%, those for the electrical connected load are initially subject to a tolerance of +/- 10%, and those for the colour temperature are initially subject to a tolerance of +/- 150 K. Product illustrations serve as examples and may differ from the original. No liability is assumed for typographical or printing errors. We reserve the right to make alterations in the interest of improving our products.