

20.007.24005



### GENERAL

Floor  
 Standing  
 White  
 IP20  
 indirect 9500 lm  
 direct 2500 lm  
 total 12000 lm  
 Beam Angle  $\uparrow 140^\circ/85^\circ\downarrow$   
 UGR<14

### LED

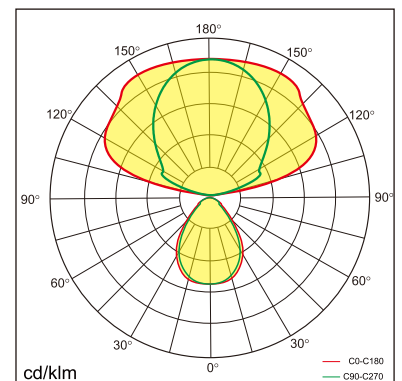
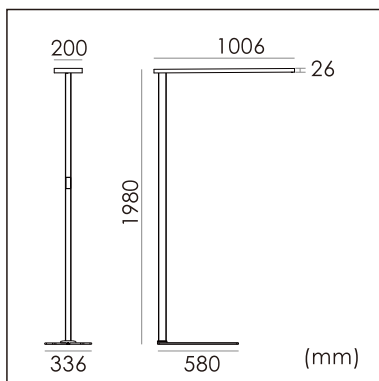
4000K neutral white  
 CRI  $\geq 80$   
 L80(B10)50,000H  
 SDCM <3

### PHYSICAL

length 1006 mm  
 width 336 mm  
 height 1980 mm  
 16 kg

### ELECTRICAL

100W  
 120 lm/W  
 AC200~240V



The data values for the luminous flux are initially subject to a tolerance of +/- 10%, those for the electrical connected load are initially subject to a tolerance of +/- 10%, and those for the colour temperature are initially subject to a tolerance of +/- 150 K. Product illustrations serve as examples and may differ from the original. No liability is assumed for typographical or printing errors. We reserve the right to make alterations in the interest of improving our products.