

# Vale-D free standing luminaires



20.018.13001



## GENERAL

Floor  
Standing  
black  
IP20  
indirect 11500 lm  
direct 7700 lm  
total 19200 lm  
Beam Angle  $\uparrow 110^\circ/90^\circ \downarrow$   
UGR<17

## LED

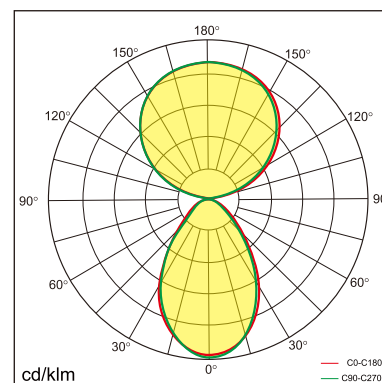
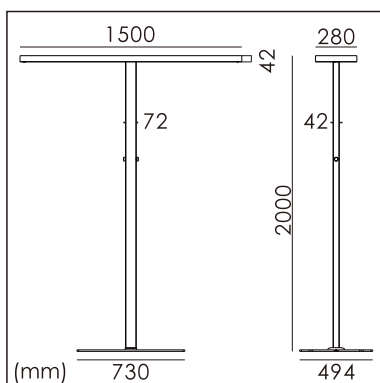
3000K warm white  
CRI  $\geq 80$   
L80(B10)50,000H  
SDCM <3

## PHYSICAL

length 1500 mm  
width 494 mm  
height 2000 mm  
21.8 kg

## ELECTRICAL

160W  
120 lm/W  
AC200~240V



The data values for the luminous flux are initially subject to a tolerance of +/- 10%, those for the electrical connected load are initially subject to a tolerance of +/- 10%, and those for the colour temperature are initially subject to a tolerance of +/- 150 K. Product illustrations serve as examples and may differ from the original. No liability is assumed for typographical or printing errors. We reserve the right to make alterations in the interest of improving our products.