

Heimdall free standing luminaire



20.006.26015



GENERAL

Floor
Standing
White
IP20
indirect 10000 lm
direct 1500 lm
total 11500 lm
Beam Angle $\uparrow 140^\circ/50^\circ\downarrow$
UGR < 10

LED

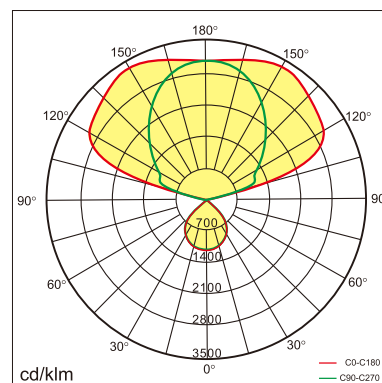
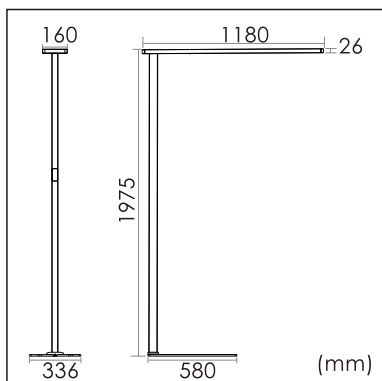
3000~6000K Variable
CRI ≥ 80
L80(B10) 50,000H
SDCM < 3

PHYSICAL

length 1180 mm
width 336 mm
height 1975 mm
17 kg

ELECTRICAL

110W
120 lm/W
200~240V AC



The data values for the luminous flux are initially subject to a tolerance of +/- 10%, those for the electrical connected load are initially subject to a tolerance of +/- 10%, and those for the colour temperature are initially subject to a tolerance of +/- 150 K. Product illustrations serve as examples and may differ from the original. No liability is assumed for typographical or printing errors. We reserve the right to make alterations in the interest of improving our products.