

20.014.13001



### GENERAL

Floor  
 Standing  
 black  
 IP20  
 indirect 2200 lm  
 direct 3300 lm  
 total 5500 lm  
 Beam Angle  $\uparrow 160^\circ / 150^\circ \downarrow$   
 UGR < 22

### LED

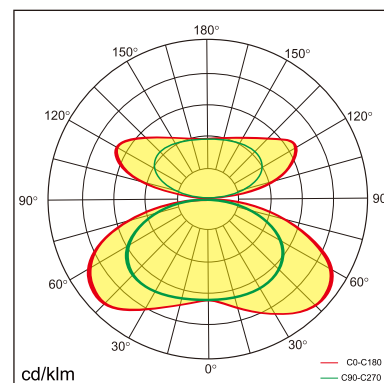
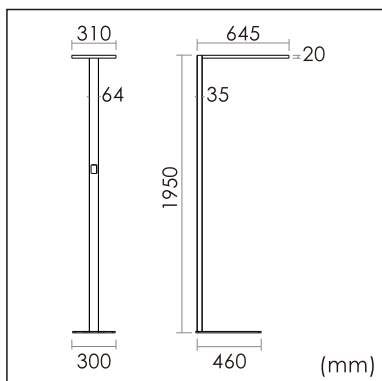
3000K warm white  
 CRI  $\geq 80$   
 L80(B10)50,000H  
 SDCM < 3

### PHYSICAL

length 645 mm  
 width 310 mm  
 height 1950 mm  
 10 kg

### ELECTRICAL

55W  
 100 lm/W  
 200~240V AC



The data values for the luminous flux are initially subject to a tolerance of +/- 10%, those for the electrical connected load are initially subject to a tolerance of +/- 10%, and those for the colour temperature are initially subject to a tolerance of +/- 150 K. Product illustrations serve as examples and may differ from the original. No liability is assumed for typographical or printing errors. We reserve the right to make alterations in the interest of improving our products.