

20.009.16003



GENERAL

Floor
Standing
black
IP20
indirect 6000 lm
direct 2000 lm
total 8000 lm
Beam Angle $\uparrow 140^\circ / 75^\circ \downarrow$
UGR < 12

LED

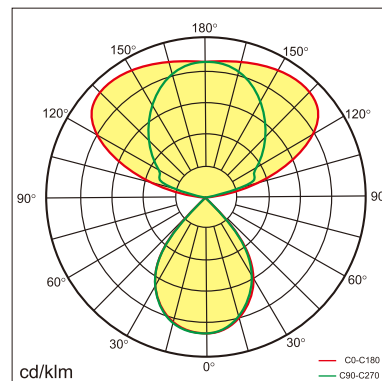
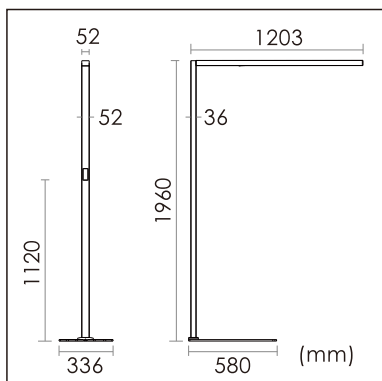
3000~6000K Variable
CRI ≥ 80
L80(B10)50,000H
SDCM < 3

PHYSICAL

length 1203 mm
width 52 mm
height 1960 mm
12 kg

ELECTRICAL

80W
100 lm/W
200~240V AC



The data values for the luminous flux are initially subject to a tolerance of +/- 10%, those for the electrical connected load are initially subject to a tolerance of +/- 10%, and those for the colour temperature are initially subject to a tolerance of +/- 150 K. Product illustrations serve as examples and may differ from the original. No liability is assumed for typographical or printing errors. We reserve the right to make alterations in the interest of improving our products.