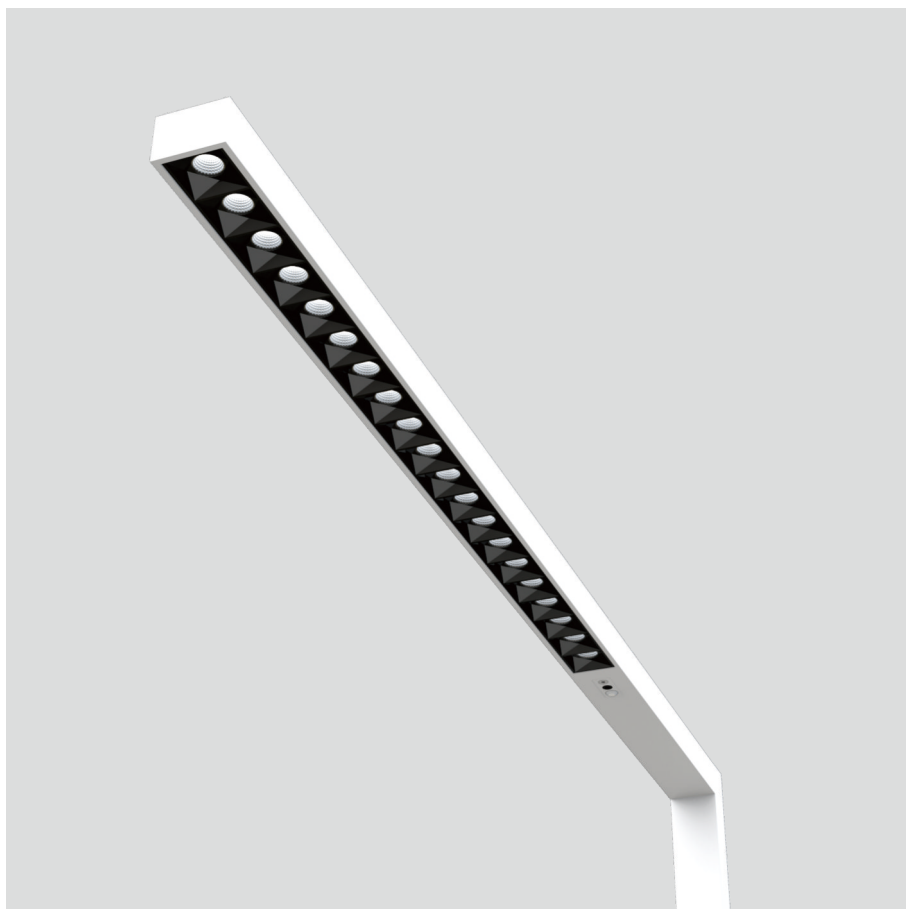


20.009.24005



GENERAL

Floor
 Standing
 White
 IP20
 indirect 7200 lm
 direct 2400 lm
 total 9600 lm
 Beam Angle $\uparrow 140^\circ / 75^\circ \downarrow$
 UGR < 12

LED

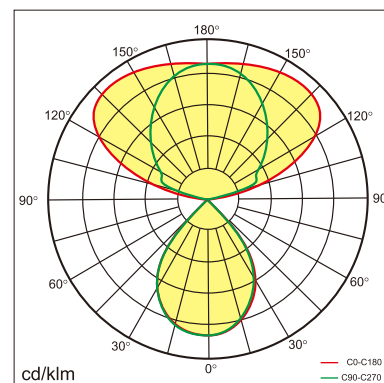
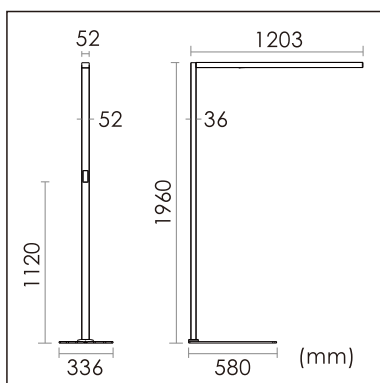
4000K neutral white
 CRI ≥ 80
 L80(B10)50,000H
 SDCM < 3

PHYSICAL

length 1203 mm
 width 52 mm
 height 1960 mm
 12 kg

ELECTRICAL

80W
 120 lm/W
 200~240V AC



The data values for the luminous flux are initially subject to a tolerance of +/- 10%, those for the electrical connected load are initially subject to a tolerance of +/- 10%, and those for the colour temperature are initially subject to a tolerance of +/- 150 K. Product illustrations serve as examples and may differ from the original. No liability is assumed for typographical or printing errors. We reserve the right to make alterations in the interest of improving our products.