

21.001.36009



GENERAL

Desktop
 Standing
 Silver
 IP20
 indirect 6000 lm
 direct 2000 lm
 total 8000 lm
 Beam Angle $\uparrow 140^\circ / 75^\circ \downarrow$
 UGR < 12

LED

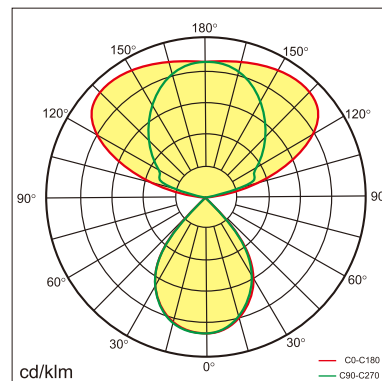
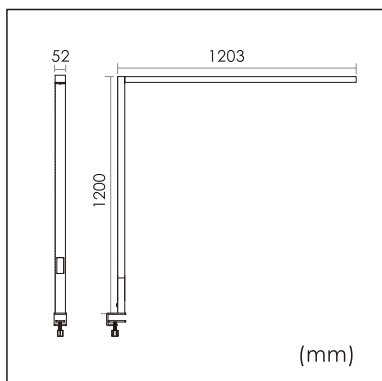
3000~6000K Variable
 CRI ≥ 80
 L80(B10)50,000H
 SDCM < 3

PHYSICAL

length 1203 mm
 width 52 mm
 height 1200 mm
 4 kg

ELECTRICAL

80W
 100 lm/W
 AC200~240V



The data values for the luminous flux are initially subject to a tolerance of +/- 10%, those for the electrical connected load are initially subject to a tolerance of +/- 10%, and those for the colour temperature are initially subject to a tolerance of +/- 150 K. Product illustrations serve as examples and may differ from the original. No liability is assumed for typographical or printing errors. We reserve the right to make alterations in the interest of improving our products.