

21.006.13013



## GENERAL

Desktop  
Standing  
black  
IP20  
indirect 3500 lm  
direct 3100 lm  
total 6600 lm  
Beam Angle  $\uparrow$ 110°/90° $\downarrow$   
UGR<18

## LED

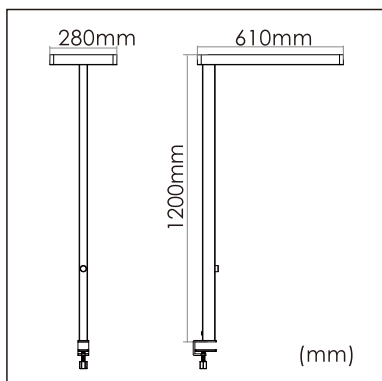
3000K warm white  
CRI  $\geq$  80  
L80(B10)50,000H  
SDCM <3

## PHYSICAL

length 610 mm  
width 280 mm  
height 1200 mm  
4.5 kg

## ELECTRICAL

60W  
110 lm/W  
AC200~240V



The data values for the luminous flux are initially subject to a tolerance of +/- 10%, those for the electrical connected load are initially subject to a tolerance of +/- 10%, and those for the colour temperature are initially subject to a tolerance of +/- 150 K. Product illustrations serve as examples and may differ from the original. No liability is assumed for typographical or printing errors. We reserve the right to make alterations in the interest of improving our products.