

22.001.14008



GENERAL

Ceiling
Suspended
black
IP20
indirect 10150 lm
total 10150 lm
Beam Angle ↑120°
UGR<6

LED

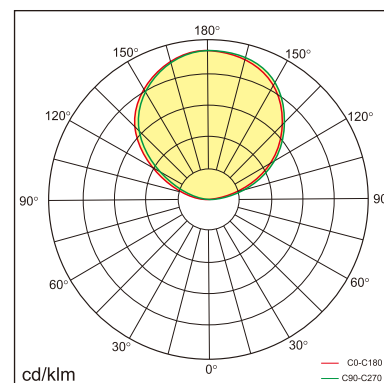
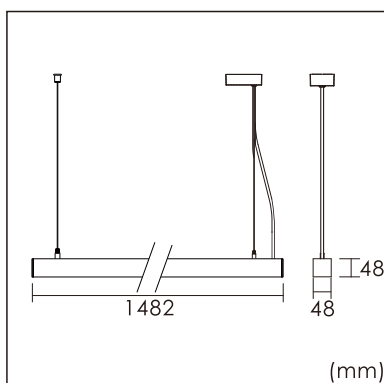
4000K neutral white
CRI ≥ 80
L80(B10)50,000H
SDCM <3

PHYSICAL

length 1482 mm
width 48 mm
height 48 mm
2.75 kg

ELECTRICAL

70W
145 lm/W
1-10V Dimming
AC200~240V



The data values for the luminous flux are initially subject to a tolerance of +/- 10%, those for the electrical connected load are initially subject to a tolerance of +/- 10%, and those for the colour temperature are initially subject to a tolerance of +/- 150 K. Product illustrations serve as examples and may differ from the original. No liability is assumed for typographical or printing errors. We reserve the right to make alterations in the interest of improving our products.