

**22.001.24004**



**GENERAL**

Ceiling  
Suspended  
White  
IP20  
indirect 10150 lm  
total 10150 lm  
Beam Angle ↑120°  
UGR<6

**LED**

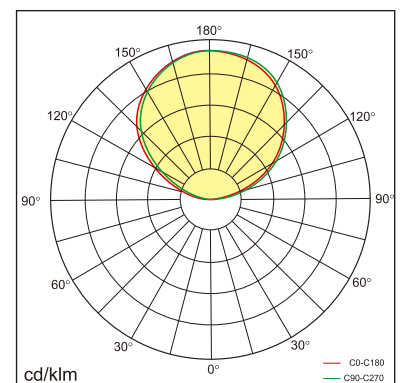
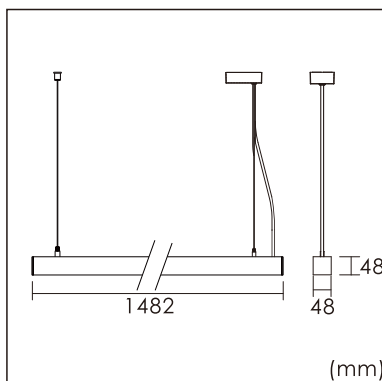
4000K neutral white  
CRI ≥ 80  
L80(B10)50,000H  
SDCM <3

**PHYSICAL**

length 1482 mm  
width 48 mm  
height 48 mm  
2.75 kg

**ELECTRICAL**

70W  
145 lm/W  
NO Dimming  
AC200~240V



The data values for the luminous flux are initially subject to a tolerance of +/- 10%, those for the electrical connected load are initially subject to a tolerance of +/- 10%, and those for the colour temperature are initially subject to a tolerance of +/- 150 K. Product illustrations serve as examples and may differ from the original. No liability is assumed for typographical or printing errors. We reserve the right to make alterations in the interest of improving our products.