

22.002.34030



### GENERAL

Ceiling  
Suspended  
Silver  
IP20  
indirect 3240 lm  
direct 4380 lm  
total 7620 lm  
Beam Angle  $\uparrow 115^\circ/80^\circ\downarrow$   
UGR<19

### LED

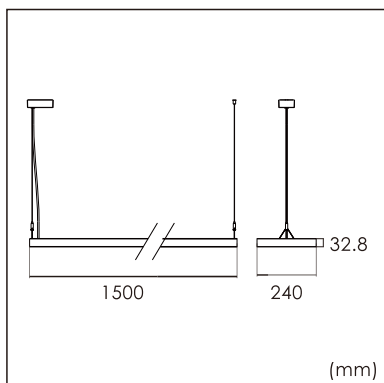
4000K neutral white  
CRI  $\geq 80$   
L80(B10)50,000H  
SDCM <3

### PHYSICAL

length 1500 mm  
width 240 mm  
height 32.8 mm  
5.6 kg

### ELECTRICAL

60W  
125 lm/W  
1-10V Dimming  
AC200~240V



The data values for the luminous flux are initially subject to a tolerance of +/- 10%, those for the electrical connected load are initially subject to a tolerance of +/- 10%, and those for the colour temperature are initially subject to a tolerance of +/- 150 K. Product illustrations serve as examples and may differ from the original. No liability is assumed for typographical or printing errors. We reserve the right to make alterations in the interest of improving our products.