

22.002.14020



GENERAL

Ceiling
Suspended
black
IP20
indirect 3240 lm
direct 4380 lm
total 7620 lm
Beam Angle $\uparrow 115^\circ/80^\circ \downarrow$
UGR<19

LED

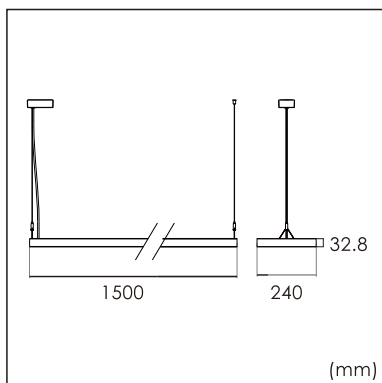
4000K neutral white
CRI ≥ 80
L80(B10)50,000H
SDCM <3

PHYSICAL

length 1500 mm
width 240 mm
height 32.8 mm
5.6 kg

ELECTRICAL

60W
125 lm/W
No Dimming
AC200~240V



The data values for the luminous flux are initially subject to a tolerance of +/- 10%, those for the electrical connected load are initially subject to a tolerance of +/- 10%, and those for the colour temperature are initially subject to a tolerance of +/- 150 K. Product illustrations serve as examples and may differ from the original. No liability is assumed for typographical or printing errors. We reserve the right to make alterations in the interest of improving our products.