

22.002.13013



## GENERAL

Ceiling  
Suspended  
black  
IP20  
indirect 2700 lm  
direct 3650 lm  
total 6350 lm  
Beam Angle  $\uparrow$ 115°/80° $\downarrow$   
UGR<19

## LED

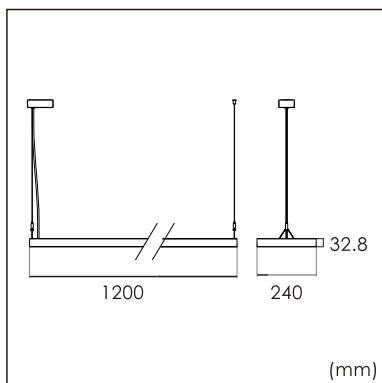
3000K warm white  
CRI  $\geq$  80  
L80(B10)50,000H  
SDCM <3

## PHYSICAL

length 1200 mm  
width 240 mm  
height 32.8 mm  
4.85 kg

## ELECTRICAL

50W  
125 lm/W  
DALI Dimming  
AC200~240V



The data values for the luminous flux are initially subject to a tolerance of +/- 10%, those for the electrical connected load are initially subject to a tolerance of +/- 10%, and those for the colour temperature are initially subject to a tolerance of +/- 150 K. Product illustrations serve as examples and may differ from the original. No liability is assumed for typographical or printing errors. We reserve the right to make alterations in the interest of improving our products.