

Freyr-P1

pendant luminaires



22.010.33029



GENERAL

Ceiling
Suspended
Silver
IP20
indirect 3950 lm
direct 3800 lm
total 7750 lm
Beam Angle $\uparrow 115^\circ / 50^\circ \downarrow$
UGR < 6

LED

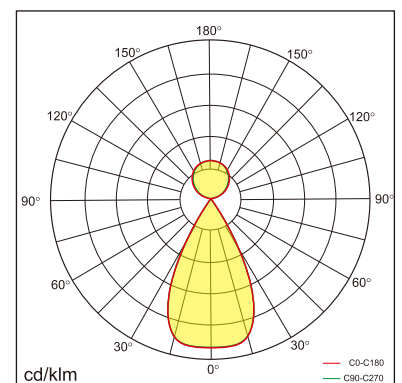
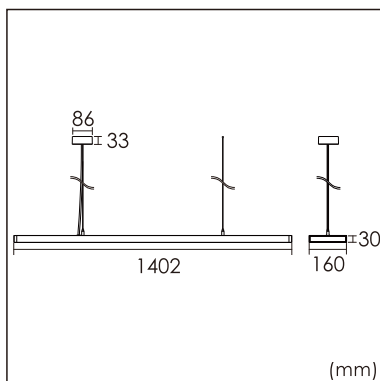
3000K warm white
CRI ≥ 80
L80(B10)50,000H
SDCM < 3

PHYSICAL

length 1402 mm
width 160 mm
height 30 mm
4.8 kg

ELECTRICAL

70W
110 lm
1-10V Dimming
AC200~240V



The data values for the luminous flux are initially subject to a tolerance of +/- 10%, those for the electrical connected load are initially subject to a tolerance of +/- 10%, and those for the colour temperature are initially subject to a tolerance of +/- 150 K. Product illustrations serve as examples and may differ from the original. No liability is assumed for typographical or printing errors. We reserve the right to make alterations in the interest of improving our products.