

# Siv-C3

Surface mounted luminaires



23.007.13019



## GENERAL

Ceiling  
Surface  
black  
IP20  
1900 lm  
Beam Angle 35°  
UGR<17

## LED

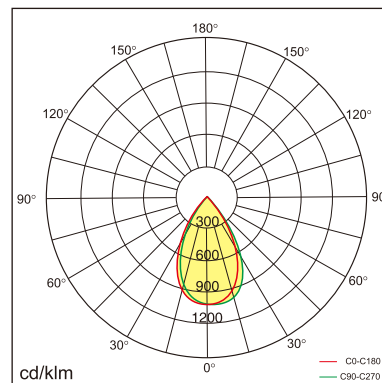
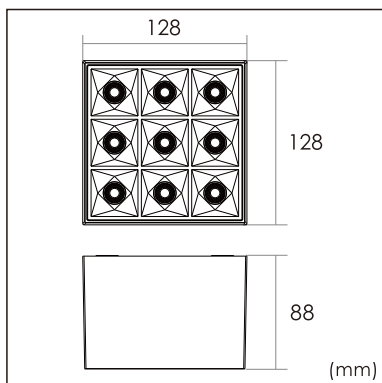
3000K warm white  
CRI ≥ 80  
L80(B10)50,000H  
SDCM <3

## PHYSICAL

length 128 mm  
width 128 mm  
height 88 mm  
0.8 kg

## ELECTRICAL

18W  
110 lm/W  
No Dimming  
AC200~240V



The data values for the luminous flux are initially subject to a tolerance of +/- 10%, those for the electrical connected load are initially subject to a tolerance of +/- 10%, and those for the colour temperature are initially subject to a tolerance of +/- 150 K. Product illustrations serve as examples and may differ from the original. No liability is assumed for typographical or printing errors. We reserve the right to make alterations in the interest of improving our products.