

# Rind-C

Surface mounted luminaires



23.005.24016



## GENERAL

Ceiling  
Surface  
White  
IP20  
indirect 1000 lm  
direct 2100 lm  
total 3100 lm  
Beam Angle  $\uparrow$ 110°/95° $\downarrow$   
UGR<19

## LED

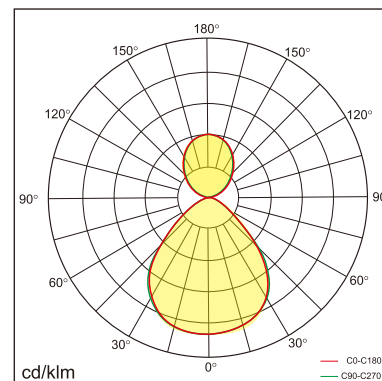
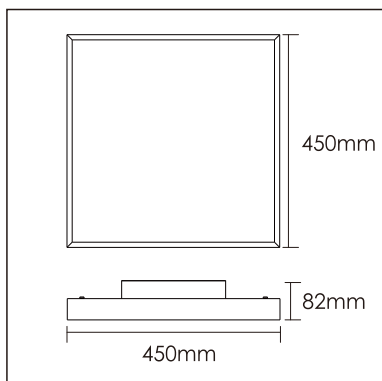
4000K neutral white  
CRI  $\geq$  80  
L80(B10)50,000H  
SDCM <3

## PHYSICAL

length 450 mm  
width 450 mm  
height 82 mm  
4.45 kg

## ELECTRICAL

30W  
120 lm/W  
DALI Dimming  
AC200~240V



The data values for the luminous flux are initially subject to a tolerance of +/- 10%, those for the electrical connected load are initially subject to a tolerance of +/- 10%, and those for the colour temperature are initially subject to a tolerance of +/- 150 K. Product illustrations serve as examples and may differ from the original. No liability is assumed for typographical or printing errors. We reserve the right to make alterations in the interest of improving our products.