

# Baldur-C

Surface mounted luminaires



23.004.33041



## GENERAL

Ceiling  
Surface  
White  
Silver  
indirect 1100 lm  
direct 2200 lm  
total 3100 lm  
Beam Angle  $\uparrow 110^\circ/95^\circ\downarrow$   
UGR<18

## LED

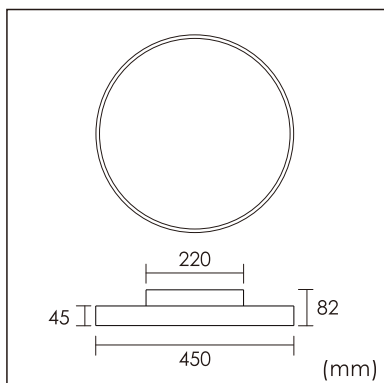
3000K warm white  
CRI  $\geq 80$   
L80(B10)50,000H  
SDCM <3

## PHYSICAL

diameter 450 mm  
height 82 mm  
3.7 kg

## ELECTRICAL

30W  
110 lm/W  
DALI Dimming  
AC200~240V



The data values for the luminous flux are initially subject to a tolerance of +/- 10%, those for the electrical connected load are initially subject to a tolerance of +/- 10%, and those for the colour temperature are initially subject to a tolerance of +/- 150 K. Product illustrations serve as examples and may differ from the original. No liability is assumed for typographical or printing errors. We reserve the right to make alterations in the interest of improving our products.