

24.001.34030



### GENERAL

Ceiling  
 Recessed  
 Silver  
 IP20  
 1900 lm  
 Beam Angle 35°  
 UGR<17

### LED

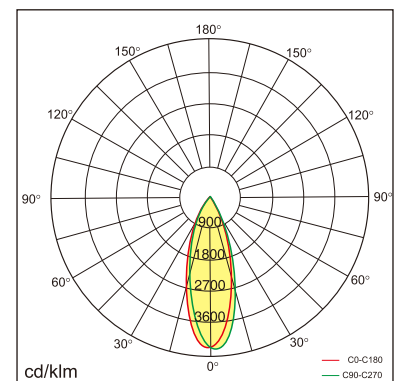
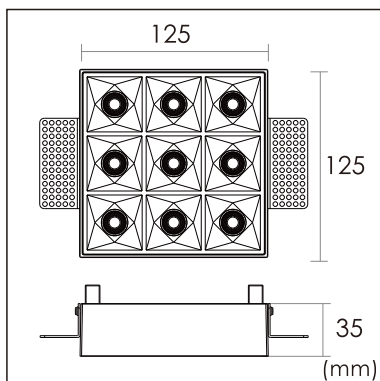
4000K neutral white  
 CRI ≥ 80  
 L80(B10)50,000H  
 SDCM <3

### PHYSICAL

length 125 mm  
 width 125 mm  
 height 35 mm  
 0.6 kg

### ELECTRICAL

18W  
 110 lm/W  
 1-10V Dimming  
 AC200~240V



The data values for the luminous flux are initially subject to a tolerance of +/- 10%, those for the electrical connected load are initially subject to a tolerance of +/- 10%, and those for the colour temperature are initially subject to a tolerance of +/- 150 K. Product illustrations serve as examples and may differ from the original. No liability is assumed for typographical or printing errors. We reserve the right to make alterations in the interest of improving our products.