



GENERAL

Ceiling
 Recessed
 White
 IP20
 1900 lm
 Beam Angle 35°
 UGR<17

LED

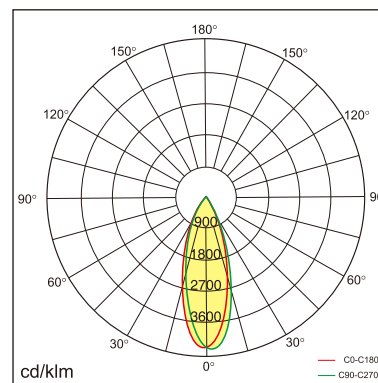
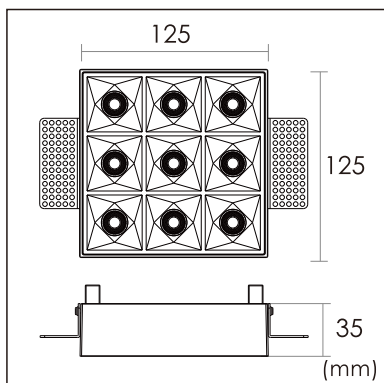
4000K neutral white
 CRI ≥ 80
 L80(B10)50,000H
 SDCM <3

PHYSICAL

length 125 mm
 width 125 mm
 height 35 mm
 0.6 kg

ELECTRICAL

18W
 110 lm/W
 DALI Dimming
 AC200~240V



The data values for the luminous flux are initially subject to a tolerance of +/- 10%, those for the electrical connected load are initially subject to a tolerance of +/- 10%, and those for the colour temperature are initially subject to a tolerance of +/- 150 K. Product illustrations serve as examples and may differ from the original. No liability is assumed for typographical or printing errors. We reserve the right to make alterations in the interest of improving our products.