

24.001.13019



GENERAL

Ceiling
Recessed
black
IP20
1900 lm
Beam Angle 35°
UGR<17

LED

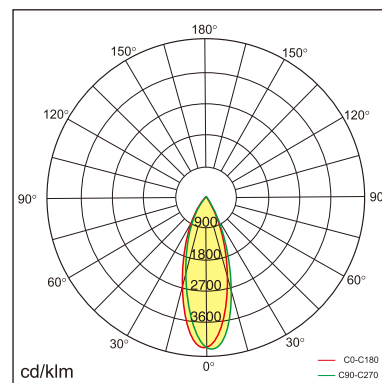
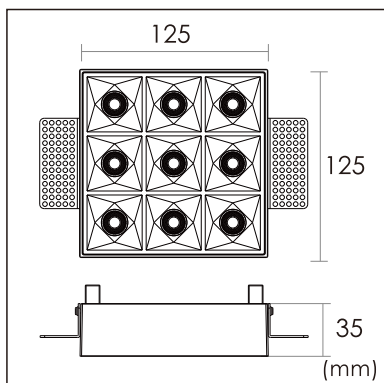
3000K warm white
CRI ≥ 80
L80(B10)50,000H
SDCM <3

PHYSICAL

length 125 mm
width 125 mm
height 35 mm
0.6 kg

ELECTRICAL

18W
110 lm/W
No Dimming
AC200~240V



The data values for the luminous flux are initially subject to a tolerance of +/- 10%, those for the electrical connected load are initially subject to a tolerance of +/- 10%, and those for the colour temperature are initially subject to a tolerance of +/- 150 K. Product illustrations serve as examples and may differ from the original. No liability is assumed for typographical or printing errors. We reserve the right to make alterations in the interest of improving our products.