

# Siv-D4

Recessed luminaires



23.003.34006



## GENERAL

Ceiling  
Recessed  
Silver  
IP20  
778 lm  
Beam Angle 55°  
UGR<18

## LED

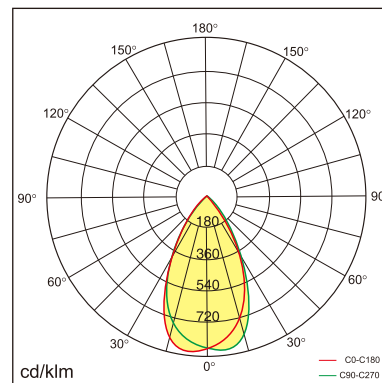
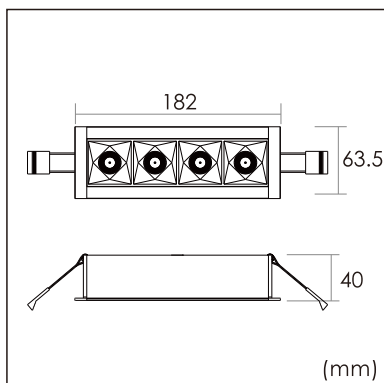
4000K neutral white  
CRI ≥ 80  
L80(B10)50,000H  
SDCM <3

## PHYSICAL

length 182 mm  
width 63.5 mm  
height 40 mm  
0.35 kg

## ELECTRICAL

No Dimming  
6W  
120 lm/W  
AC200~240V



The data values for the luminous flux are initially subject to a tolerance of +/- 10%, those for the electrical connected load are initially subject to a tolerance of +/- 10%, and those for the colour temperature are initially subject to a tolerance of +/- 150 K. Product illustrations serve as examples and may differ from the original. No liability is assumed for typographical or printing errors. We reserve the right to make alterations in the interest of improving our products.