

Tjatse-R

Recessed luminaires



23.005.13001



GENERAL

Ceiling
Recessed
black
IP20
2800 lm
Beam Angle /
UGR<19

LED

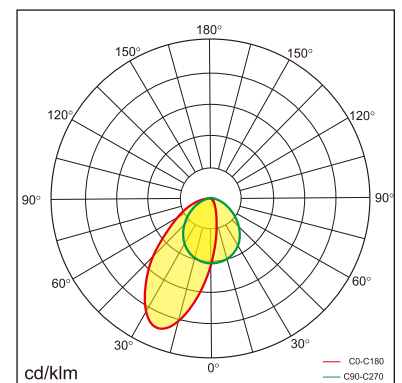
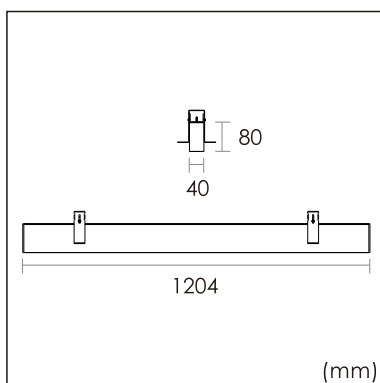
3000K warm white
CRI ≥ 80
L80(B10)50,000H
SDCM <3

PHYSICAL

length 1204 mm
width 40 mm
height 80 mm
3.4 kg

ELECTRICAL

No Dimming
30W
100 lm/W
AC200~240V



The data values for the luminous flux are initially subject to a tolerance of +/- 10%, those for the electrical connected load are initially subject to a tolerance of +/- 10%, and those for the colour temperature are initially subject to a tolerance of +/- 150 K. Product illustrations serve as examples and may differ from the original. No liability is assumed for typographical or printing errors. We reserve the right to make alterations in the interest of improving our products.