

Freyr-F

free standing luminaire



20.021.36009



GENERAL

Floor
Standing
Silver
IP20
indirect 5200 lm
direct 3720 lm
total 8920 lm
Beam Angle $\uparrow 115^\circ / 90^\circ \downarrow$
UGR < 16

LED

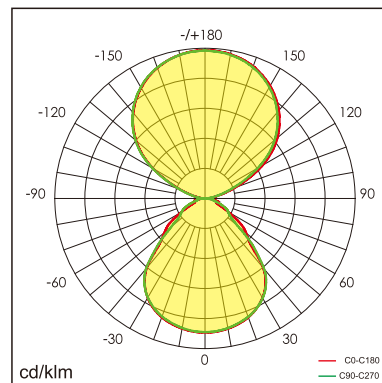
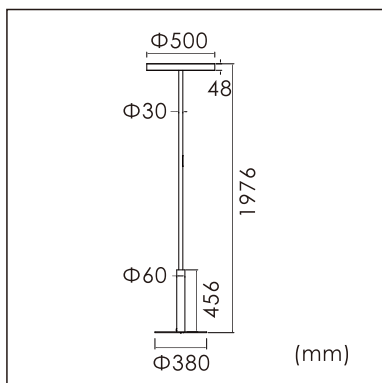
3000~6000K Variable
CRI ≥ 80
L80(B10)50,000H
SDCM < 3

PHYSICAL

length 500 mm
width 500 mm
height 1976 mm
13.1 kg

ELECTRICAL

80W
110 lm/W
AC200~240V



The data values for the luminous flux are initially subject to a tolerance of +/- 10%, those for the electrical connected load are initially subject to a tolerance of +/- 10%, and those for the colour temperature are initially subject to a tolerance of +/- 150 K. Product illustrations serve as examples and may differ from the original. No liability is assumed for typographical or printing errors. We reserve the right to make alterations in the interest of improving our products.